



Product designation				Power contactor
Product type designation				DPBF26
Contact characteristics				
Number of poles	Nr.	3		
Operational frequency	min	Hz	25	
	max	Hz	400	
Mechanical features				
Operating position	normal	Vertical plan		
	allowable	±30°		
Fixing				Screw / DIN rail 35mm
Weight	g	420		
Operations				
Mechanical life	cycles	20000000		
Electrical life	cycles	1600000		
Safety related data				
Performance level B10d according to EN/ISO 13489-1	rated load	cycles	1600000	
	mechanical load	cycles	20000000	
Mirror contacts according to IEC/EN 609474-4-1				yes
EMC compatibility				yes
AC coil operating				
Rated AC voltage at 60Hz	V	230		
AC operating voltage of 60Hz coil powered at 60Hz	pick-up	min	%Us	80
		max	%Us	110
	drop-out	min	%Us	20
		max	%Us	55
AC average coil consumption at 20°C of 60Hz coil powered at 60Hz	in-rush	VA	75	
	holding	VA	9	
Dissipation at holding =20°C 50Hz	W	2.5		
Max cycles frequency				
Mechanical operation	cycles/h	3600		
Operating times				
Average time for Us control in AC	Closing NO	min	ms	8

Opening NO	max	ms	24
	min	ms	5
Closing NC	max	ms	15
	min	ms	9
Opening NC	max	ms	20
	min	ms	9
	max	ms	17

UL technical data

Full-load current (FLA) for three-phase AC motor

at 600V A 40

Yielded mechanical performance

for single-phase AC motor

110/120V HP 3
230V HP 7.5

for three-phase AC motor

200/208V HP 10
220/230V HP 10
460/480V HP 30
575/600V HP 30

General USE

Contactor

AC current A 45

Short-circuit protection fuse, 600V

Standard fault

Short circuit current kA 5
Fuse rating A 125
Fuse class RK5

Ambient conditions

Temperature

Operating temperature

min °C -50
max °C 70

Storage temperature

min °C -60
max °C 80

Max altitude

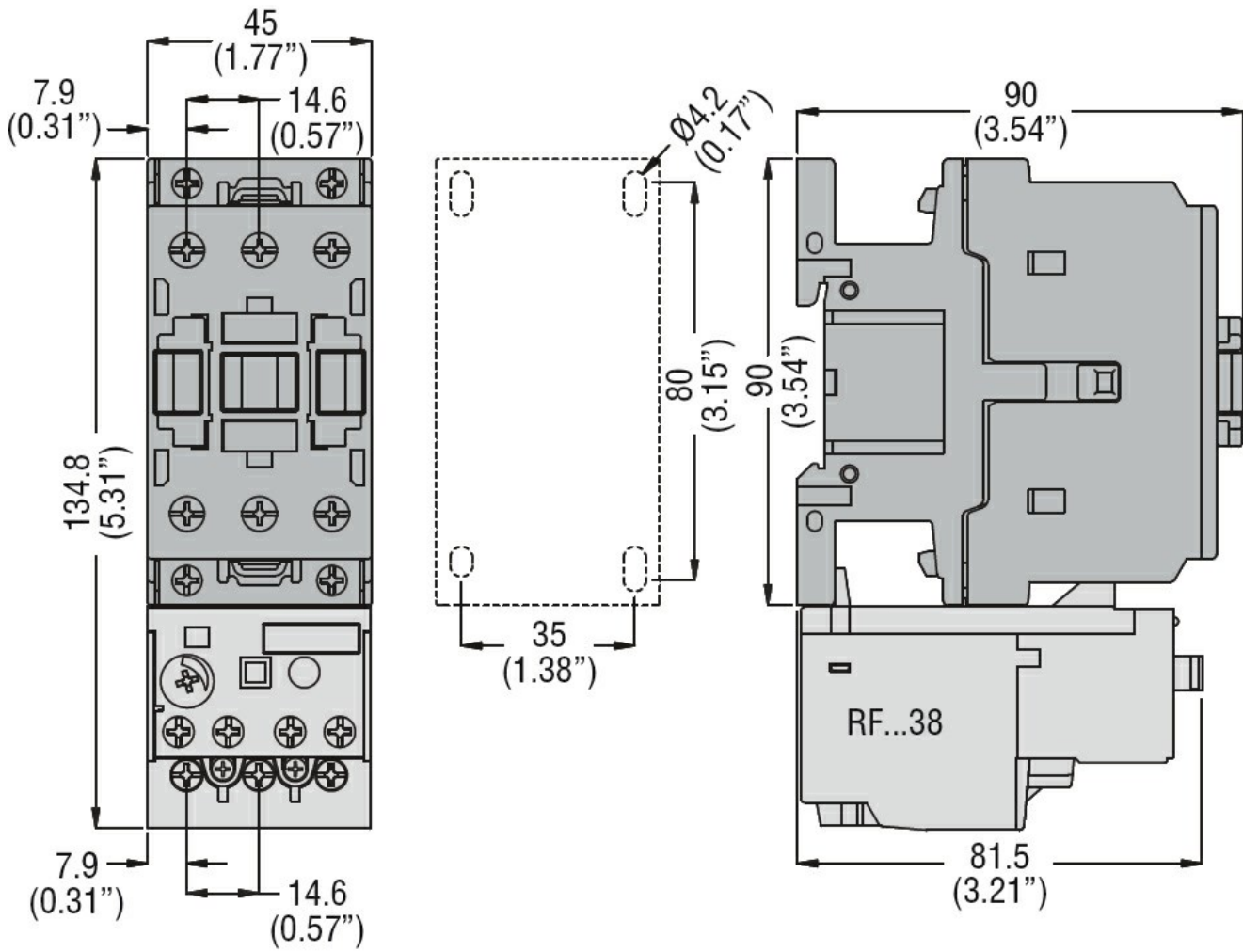
m 3000

Resistance & Protection

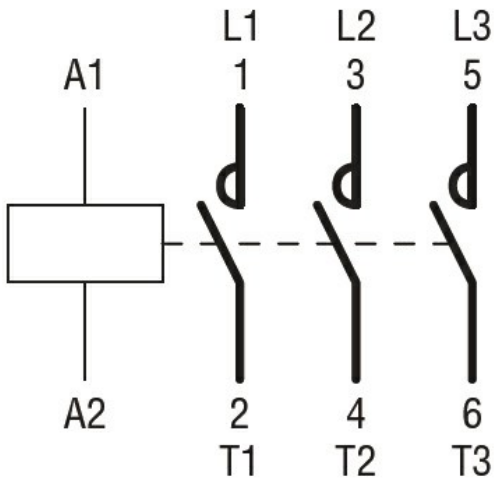
Pollution degree

3

Dimensions



Wiring diagrams



Certifications and compliance

Compliance

- CSA C22.2 n° 60947-1
- CSA C22.2 n° 60947-4-46
- UL 60947-1
- UL 60947-4-1

Certificates

cULus

ETIM classification

ETIM 8.0

EC000066 -
Power contactor,
AC switching